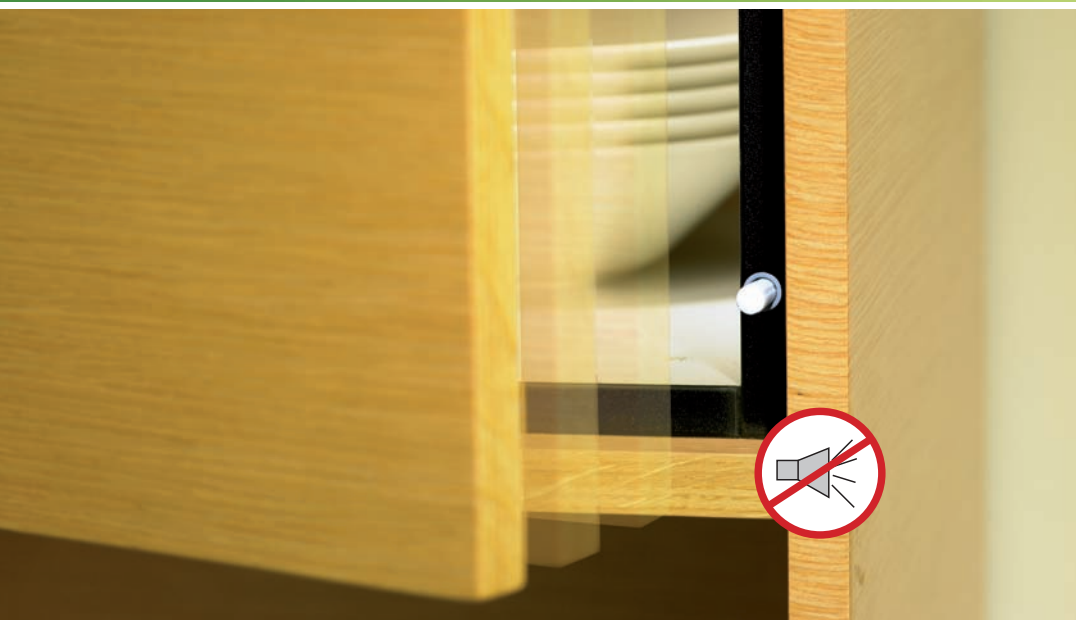


Drill-in shock absorber system

Grass Airmatic Pin

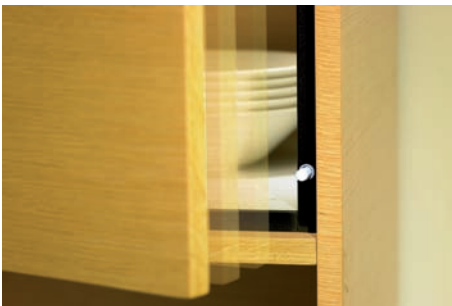
G*GRASS
The star in your cabinet



Pneumatic cushioning system



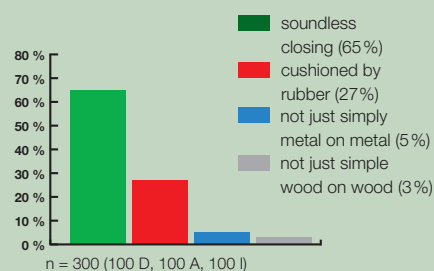
- Grass Airmatic Pin – an additional plus for consistent pneumatic cushioning throughout your kitchen
- Using air as the operating medium provides reliable cushioning and ensures hygiene in the kitchen, with no fear of fluid leakage (e.g. oil)
- Reliable pneumatic cushioning system from Grass
- Retrofitting is no problem
- Suitable for all door sizes, shapes and materials (framed, aluminium framed and glass doors)
- Simple installation thanks to Grass installation jigs



Air provides environmentally friendly cushioning

The unique benefits of using air as the operating medium are obvious. Environmentally friendly pneumatic cushioning means there is no possibility of hydraulic fluids leaking. Soiling of the cabinet and its contents in the kitchen living space is therefore excluded.

Grass kitchen study “What does gentle closing of a door mean to you?”



Even greater user comfort in the kitchen

Unabated door slamming is a thing of the past! Grass Airmatic Pin makes doors close gently and virtually without a sound. A comprehensive survey conducted by the motivation and market research institute Ernest Dichter showed conclusively that “doors should no longer slam shut”. This inner quality will enable you to create added value for your furniture.



Innovative products to serve our customers, kitchen manufacturers and trade.

Sooner or later the inner values count, too: Functionality meets design. Time- and cost-saving processing in addition to products that meet our customers’ demands. And the option of segmenting the market and the opportunity of premium positioning.



Grass Airmatic Pin

Enhanced user comfort for your doors

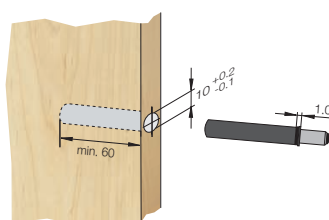
Ordering information for Airmatic Pin

Drill-in shock absorber cylinder

Installation: Drill hole in front edge of cabinet
(dia. 10 mm x 60 mm)



Benefit:
For optical solutions



Drill-in absorber cylinder

	Ord. No.
PU 25 pcs.	66528-40

Plastic: Housing in anthracite
Shock absorber element in RAL 7035 light grey

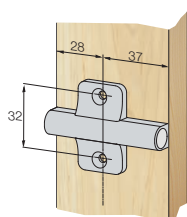
Line hole adapter plate

(The drill-in shock absorber cylinder must be ordered separately for each adapter plate!)

Installation: Euro screws (dia. 6 mm x 13 mm)



Benefit:
Suitable for 28 mm and 37 mm hole patterns



Line hole adapter plate 28 / 37

	Ord. No.
PU 25 pcs.	63310-40

Plastic in RAL 7035 light grey

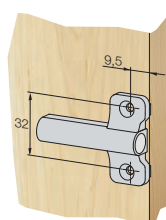
Standard adapter plate

(The drill-in shock absorber cylinder must be ordered separately for each adapter plate!)

Installation: Countersunk chipboard screws
(dia. 3.5 mm x 13 mm)



Benefit:
Rapid retrofitting



Standard adapter plate

	Ord. No.
PU 25 pcs.	63311-40

Plastic in RAL 7035 light grey

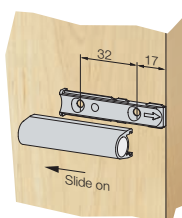
Straight adapter plate

(The drill-in shock absorber cylinder must be ordered separately for each adapter plate!)

Installation: Countersunk chipboard screws
(dia. 3.5 mm x 13 mm)



Benefit:
Design solution, also useful for insets



Straight adapter plate

	Ord. No.
PU 25 pcs.	63309-40

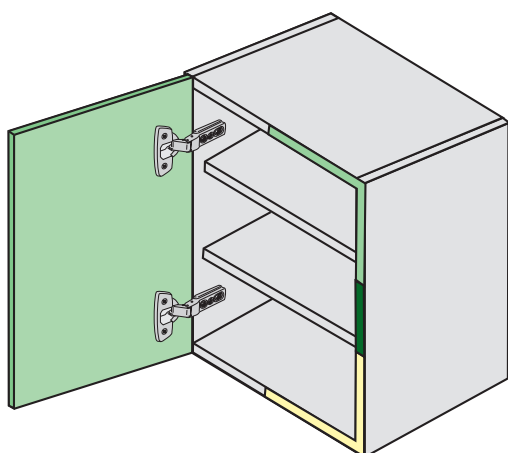
Plastic in RAL 7035 light grey

Grass Airmatic Pin



Enhanced user comfort for your doors

Drill-in shock absorber position

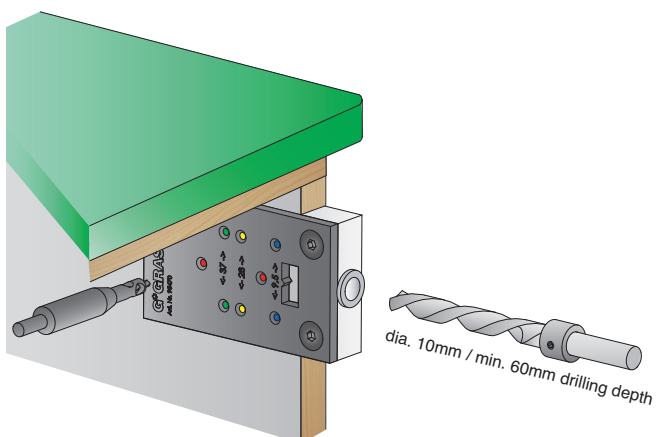


Possible drill-in shock absorber positions on a standard door:

■ ideal position ■ good position ■ possible position

For larger doors we recommend the use of an additional absorber

Drilling jig for adapter plates and drill-in shock absorber cylinders



The Grass drilling jig for Airmatic Pin can be used to drill holes for all versions of the adapter plates and drill-in shock absorbers.

Note: Drill bits are not included!

Designation	Ord. No.
Drilling jig without drill bits	95470
Pilot drill 3.5 mm	35692



The star in your cabinet

Grass GmbH
Furniture Fittings
Grass Platz 1
6973 Höchst
Austria
Tel. +43 / 55 78 / 701-0
Fax +43 / 55 78 / 701-59

www.grass.at, info@grass.at